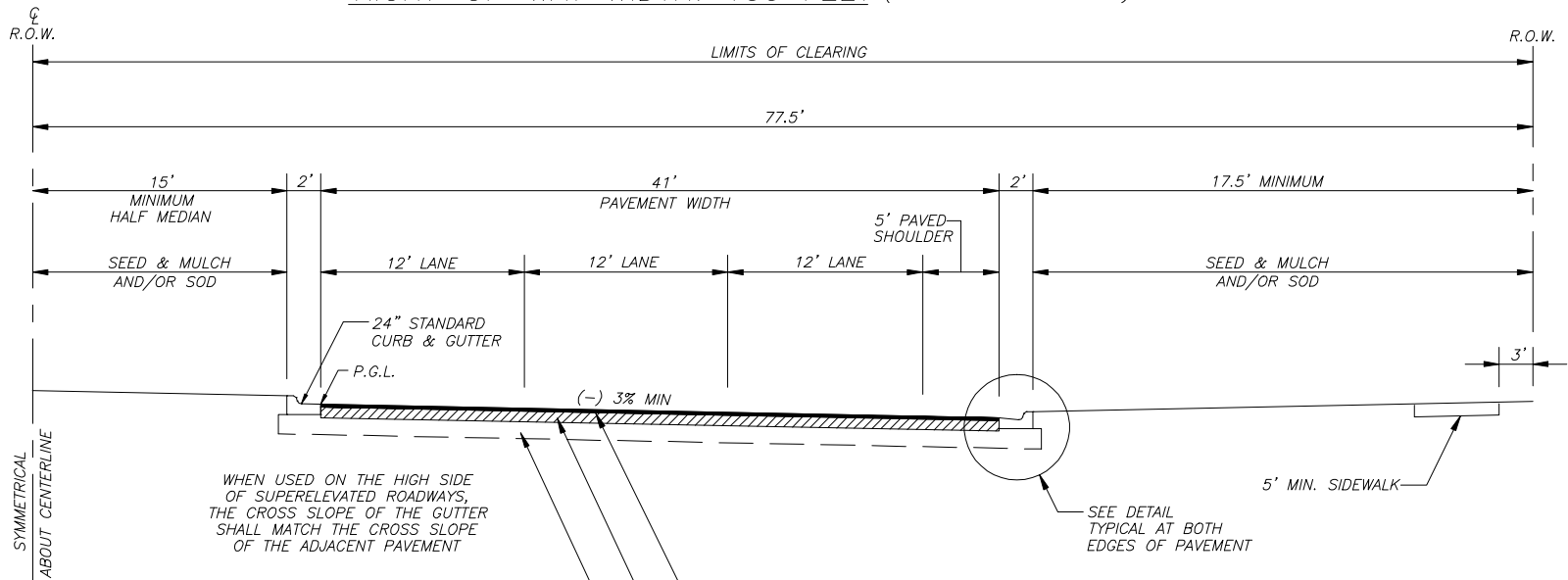
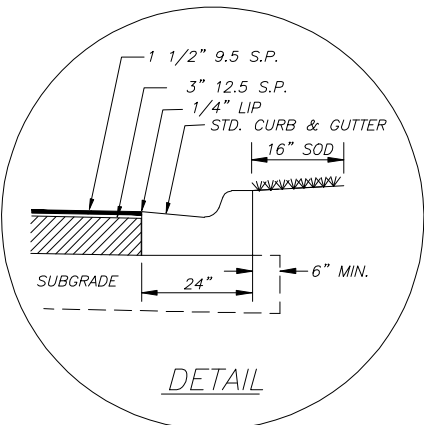


RIGHT-OF-WAY WIDTH: 155 FEET (HALF SECTION SHOWN)



WHEN USED ON THE HIGH SIDE OF SUPERELEVATED ROADWAYS, THE CROSS SLOPE OF THE GUTTER SHALL MATCH THE CROSS SLOPE OF THE ADJACENT PAVEMENT

SEE DETAIL TYPICAL AT BOTH EDGES OF PAVEMENT



DETAIL

- 3" 12.5 S.P. OVERLAYED WITH 1 1/2" 9.5 S.P.
- 12" LIMEROCK BASE COURSE LBR 100/98% MAXIMUM DENSITY PER AASHTO T-180 PRIMED ENTIRE WIDTH
- 12" STABILIZED SUBGRADE LBR 40/98% MAXIMUM DENSITY PER AASHTO T-180

NOTES:

1. OPTIONAL BASE MATERIALS MAY BE ACCEPTABLE UPON APPROVAL BY THE COUNTY ENGINEER
2. 9.5 S.P. SHALL BE FINAL ASPHALT COURSE PLACED

TRAFFIC VOLUME
AADT > 28,000

STRUCTURAL NUMBER: 5.10



ST JOHNS COUNTY
PUBLIC WORKS DEPARTMENT
ENGINEERING DIVISION
2740 Industry Center Road
ST AUGUSTINE, FLORIDA 32084
Phone (904) 209-0110 • Fax. (904) 209-0140

REVISION
10/09

DESIGN DETAIL
MAJOR COLLECTOR-6 LANE-155' R.O.W.
TYPICAL CURB & GUTTER SECTION

EFFECTIVE DATE:
DETAIL NO. 111
APPROVED:
H.P. TOMPAINS, JR., P.E.
COUNTY ENGINEER